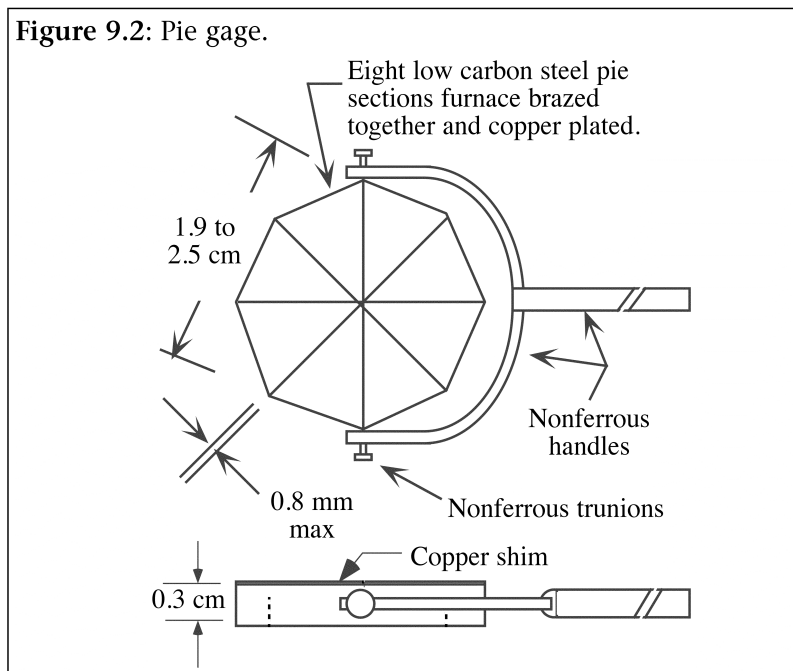


Magnetic Particle Testing Classroom Training Book (4th Printing)

Text Correction

The following text correction applies to the fourth printing of the *Magnetic Particle Testing Classroom Training Book*. The next printing of this publication will incorporate the correction into the published text.

Page 56 – Figure 9.2 – The gap between pie wedge sections should be labeled: 0.8 mm max. It is incorrectly labeled: 0.8 cm. The corrected figure is shown below. (*Note: this same figure with an incorrect measurement appears on p. 57 in the first three printings of this book.*)



Cat. No. 1641
Fourth printing 10/09
Text correction 03/10